



Underground® 90° Elbow Fitting, 1/2" - 2" IPS

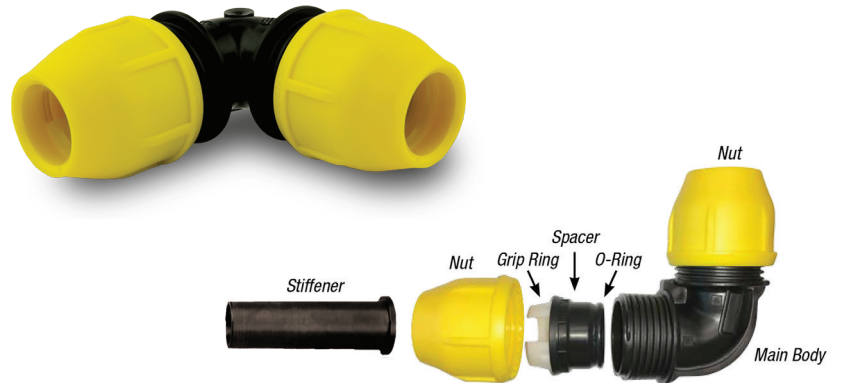
Installation: Must be installed in accordance with the HOME-FLEX Underground® Installation Practices and Guidelines and in accordance with local codes.

Application Information: Gas compression fittings for use in Natural Gas and Liquefied Petroleum (Propane) Gas applications with Polyethylene (PE) gas pipelines.

TECHNICAL DATA

Materials:

Nut and Main Body	Polypropylene
O-Ring	Nitrile
Spacer	Nylon
Grip Ring	Acetal
Stiffener	Acetal



Pressure Ratings: Max Operating Pressure: 125 PSIG

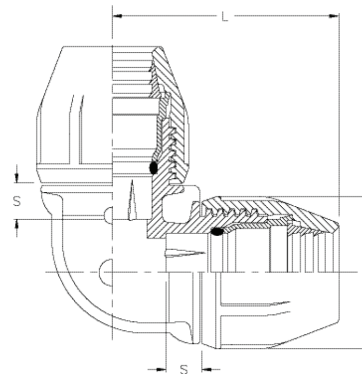
Temperature Ratings:

Operating Temperature Range -20°F - 180°F

Codes: Universal Plumbing Code (UPC)

Standards: ASTM F1924-12 (Category 1 fittings)

Listings: IAPMO 10218



Size (IPS)	Part Number	Dimensions (in)			Weight (lbs)
		S	D	L	
1/2"	47298	0.47	1.81	2.72	0.20
3/4"	47244	0.51	2.13	3.23	0.33
1"	47245	0.63	2.68	3.78	0.57
1-1/4"		0.79	3.23	4.41	0.99
1-1/2"		0.83	3.78	4.84	1.48
2"		0.94	4.45	5.59	2.29